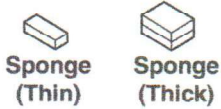


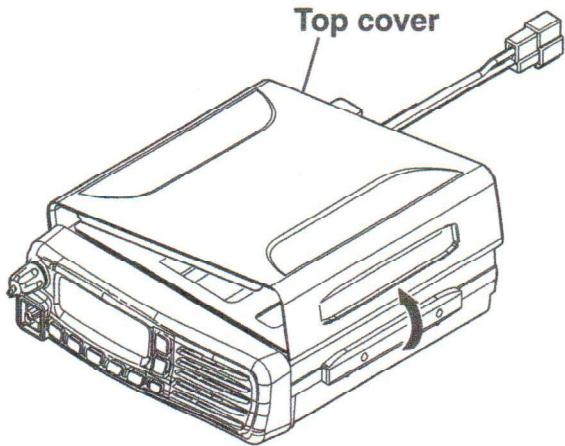
CAUTION! Optional unit installation should be done at an authorized Icom dealer or distributor.

• UT-133A

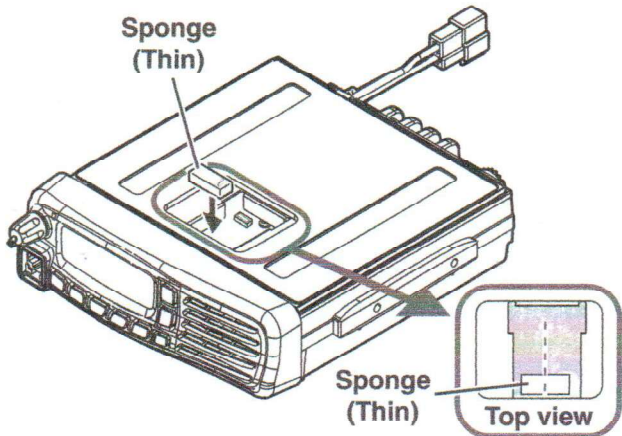
Before the installation:
Prepare 2 sponges that comes with the IC-A120/IC-A120E.



- 1) Turn OFF the transceiver and disconnect the DC power cable from the power supply.
- 2) Remove the top cover.

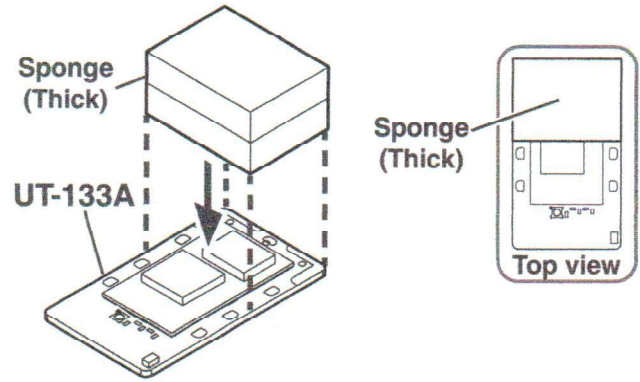


- 3) Remove the protect sheet from the Thin sponge, and then apply it to the PCB.

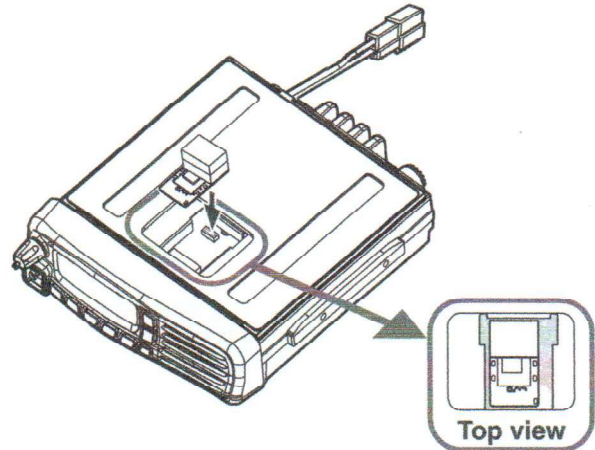


(Continued on the right above.)

- 4) Remove the protect sheet from the thick sponge, and then apply it to the UT-133A.



- 5) Attach the UT-133A to the connector on the PCB.



- 6) Attach the top cover.

