


ICOM

VHF MARINE TRANSCEIVER

IC-M400BB



Installation example

Black Box Transceiver When Space is at a Premium



**Space Saving,
Fully Functional VHF/DSC**



Controlled by COMMANDMIC™ HM-195B/SW
HM-195B/SW may be sold separately, depending on version.



New Icom Marine Family User Interface
Shares same user interface operation with IC-M423.



Active Noise Cancelling Technology
Reduces background noise to up to 90%.



10W Loud Audio, Public Address & Fog Horn
With external speaker.



Built-in Class D DSC
Meets ITU-R M493-13 and EN 300 338-3.



Common NMEA Interface
For GPS/NAV Connection.



**MarineCommander™
Compatible**



**MA-500TR AIS Transponder
Compatible**



AquaQuake™ Draining Function
HM-195B/SW



IPX7 Waterproof
1m depth water for 30 minutes.

Space-Saving, Two-Piece Configuration

The IC-M400BB consists of a two-piece, black box configuration. All function control including DSC operation, can be made from the COMMANDMIC™, HM-195B/SW, and the RF unit, IC-M400BB, can be installed in an out-of-sight place.

New Intuitive User Interface

The new menu system is shared with Icom's latest models. The bottom line of the dot-matrix display shows the software key functions which can be toggled with the left and right buttons.

Active Noise Cancelling

The built-in bidirectional active noise cancelling reduces background noise to up to 90% and improves both your transmitted voice and incoming call. Hear and be heard more clearly.

10W Loud Audio, Public Address and Foghorn

The IC-M400BB has a built-in 10W amplifier that increases the audio output from an additional external speaker. The public address function allows you to make an announcement from the microphone like a loud speaker, and the foghorn can also be emitted from the external speaker.

Built-in Class D DSC

The built-in DSC watch function monitors Ch. 70 (DSC channel) activity, even while you are receiving another channel. DSC functions include: distress, individual, group, all ships, urgency, safety, position request/report, polling request and DSC test calls.

Common NMEA Interface

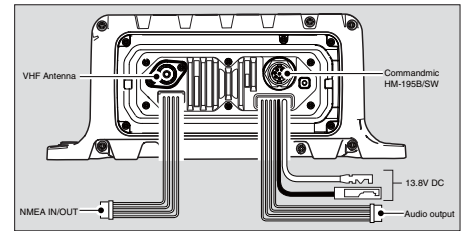
When connected to an external GPS receiver, current position and time are shown on the Commandmic display. When receiving DSC information from another vessel, the radio can transfer it to a navigational device via NMEA 0183 connectivity.

AIS Target Call with MA-500TR

When connected to the optional MA-500TR Class B AIS transponder, the AIS target call function allows you to set up an individual DSC call from the MA-500TR.

And More

- MarineCommander™ compatible
- AquaQuake™ water draining function (HM-195B/SW)
- IPX7 waterproof protection both for IC-M400BB and HM-195B/SW (1m depth for 30 minutes)
- Dual/tri-watch function for monitoring Ch.16 and/or call channel
- Priority and normal scan



OPTIONS

COMMANDMIC™

Supplied accessories

HM-195B (Black) HM-195SW (Super white)

- 6.1m (20ft) of cable
- Microphone hanger
- Mounting base for connector

EXTENSION CABLE for COMMANDMIC, HM-195B/SW

OPC-1541
6.1m (20ft) extension cable. Up to two cables available.

CLASS B AIS TRANSPONDER

MA-500TR

SPECIFICATIONS

GENERAL		
Frequency range	Tx	156.000–161.450MHz
	Rx	156.000–163.425MHz
	CH70	156.525MHz
Usable channels	INT, USA* channels * Available depending on version	
Type of emission	16K0G3E (FM), 16K0G2B (DSC)	
Power supply requirement	13.8V DC nominal (10.8–15.6V DC)	
Current drain		
	Tx 25W output	5.5A
	Rx Max. audio	3.5A
Operating temperature range	–20°C to +60°C	
Antenna impedance	50Ω (SO-239)	
Dimensions (Projections not included)	(W×H×D)	
	IC-M400BB	216×79×125mm
	HM-195B/SW	67.5×144.5×37mm
Weight (approx.)		
	IC-M400BB	830g
	HM-195B/SW	400g
NMEA in/out formats	RMC, GGA, GNS, GLL, DSC, DSE	
TRANSMITTER		
Output power	25W, 1W	
Max. frequency deviation	±5.0kHz	
Frequency stability	Less than ±1.5kHz	
Spurious emissions	Less than 0.25μW	

RECEIVER		
Sensitivity	Main	–5dBμ emf typ. (20dB SINAD)
	DSC	–4dBμ emf typ. (1% BER)
Squelch sensitivity	Main	Less than –2dBμ emf
Adjacent channel selectivity	Main	More than 70dB
	DSC	More than 73dBμ emf (1% BER)
Spurious response	Main	More than 70dB
	DSC	More than 73dBμ emf (1% BER)
Intermodulation	Main	More than 68dB
	DSC	More than 68dBμ emf (1% BER)
Hum and noise	More than 40dB	
Audio output power	More than 2W (HM-195B/SW) (at 10% distortion, 4Ω load)	
	More than 10W (RX Speaker)	

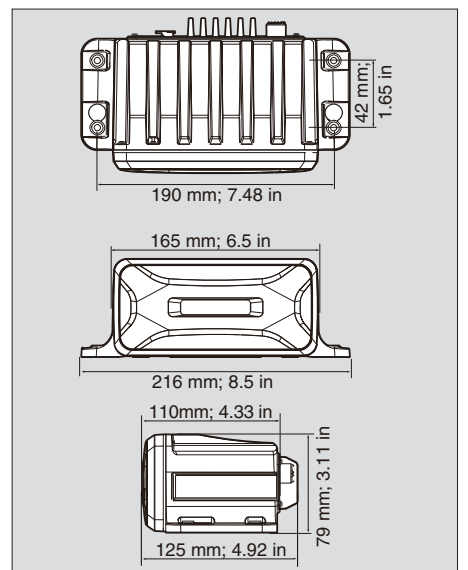
Measurements made in accordance with EN 301 025-2, -3. All stated specifications are subject to change without notice or obligation.

Applicable IP Rating

Ingress Protection Standard (IC-M400BB and HM-195B/SW)	
Water	IPX7 (Waterproof protection)

Supplied accessories:

- COMMANDMIC, HM-195B/SW* • DC power cable
- * COMMANDMIC, HM-195B/SW may be sold separately, depending on version.



Icom, Icom Inc. and the Icom logo are registered trademarks of Icom Incorporated (Japan) in the United States, the United Kingdom, Germany, France, Spain, Russia, Japan and/or other countries. COMMANDMIC, MarineCommander and AQUAQUAKE are trademarks of Icom Inc. (Japan). All other trademarks are the properties of their respective holders.

Icom Inc.

1-1-32, Kami-minami, Hirano-ku, Osaka 547-0003, Japan Phone: +81 (06) 6793 5302 Fax: +81 (06) 6793 0013

www.icom.co.jp/world

Count on us!

Icom America Inc.

2380 116th Avenue NE,
Bellevue, WA 98004, U.S.A.
Phone: +1 (425) 454-8155
Fax: +1 (425) 454-1509
E-mail: sales@icomamerica.com
URL: <http://www.icomamerica.com>

Icom Canada

Glenwood Centre #150-6165 Highway 17,
Delta, B.C., V4K 5B8, Canada
Phone: +1 (604) 952-4266
Fax: +1 (604) 952-0090
E-mail: info@icomcanada.com
URL: <http://www.icomcanada.com>

Icom Brazil

Rua Itororó, 444 Padre Eustáquio
Belo Horizonte MG,
CEP: 30130-150, Brazil
Phone: +55 (31) 3582 8847
Fax: +55 (31) 3582 8987
E-mail: sales@icombrasil.com

Icom (Europe) GmbH

Communication Equipment
Auf der Krautweide 24
65812 Bad Soden am Taunus, Germany
Phone: +49 (6196) 76685-0
Fax: +49 (6196) 76685-50
E-mail: info@icom-europe.com
URL: <http://www.icomeurope.com>

Icom Spain S.L.

Ctra. Rubi, No. 88 "Edificio Can Castanyer"
Bajos A 08174, Sant Cugat del Valles,
Barcelona, Spain
Phone: +34 (93) 590 26 70
Fax: +34 (93) 589 04 46
E-mail: icom@icomspain.com
URL: <http://www.icomspain.com>

Icom Polska Sp. Z o.o.

80-286 Gdansk, Jaskowa Dolina St. 75, Poland
Phone: +48 (58) 551 0484
Fax: +48 (58) 551 4720
E-mail: icompolkska@icompolkska.com.pl
URL: <http://www.icompolkska.com.pl>

Icom (UK) Ltd.

Blacksole House, Alitra Park,
Herne Bay, Kent, CT6 6GZ, U.K.
Phone: +44 (0) 1227 741741
Fax: +44 (0) 1227 741742
E-mail: info@icomuk.co.uk
URL: <http://www.icomuk.co.uk>

Icom France s.a.s.

Zac de la Plaine,
1 Rue Brindejonc des Moulinais, BP 45804,
31505 Toulouse Cedex 5, France
Phone: +33 (5) 61 36 03 03
Fax: +33 (5) 61 36 03 00
E-mail: icom@icom-france.com
URL: <http://www.icom-france.com>

Icom (Australia) Pty. Ltd.

Unit 1 / 103 Garden Road,
Clayton, VIC 3168 Australia
Phone: +61 (03) 9549 7500
Fax: +61 (03) 9549 7505
E-mail: sales@icom.net.au
URL: <http://www.icom.net.au>

Icom New Zealand

146A Harris Road, East Tamaki,
Auckland, New Zealand
Phone: +64 (09) 274 4062
Fax: +64 (09) 274 4708
E-mail: inquiries@icom.co.nz
URL: <http://www.icom.co.nz>

Asia Icom Inc.

6F No. 68, Sec. 1 Cheng-Teh Road,
Taipei, Taiwan, R.O.C.
Phone: +886 (02) 2559 1899
Fax: +886 (02) 2559 1874
E-mail: sales@asia-icom.com
URL: <http://www.asia-icom.com>

Your local distributor/dealer: