

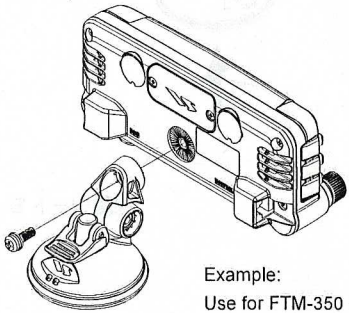
# MMB-98 Front Panel Mounting Bracket

The **MMB-98** Mounting Bracket is designed especially for mounting the Vertex Standard Transceivers Front Panel\*.

※ Please refer to the Vertex Standard products catalog to choose the correct Bracket for the transceiver you are using.

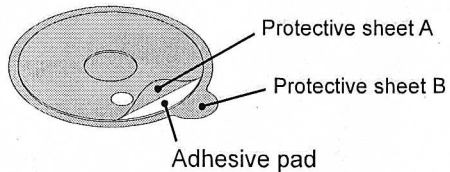
## Installation

1. Connect the Front Panel to the mounting bracket using the supplied screw.
3. Lift the release lever, then place the Vacuum Cup on to the Adhesive pad.

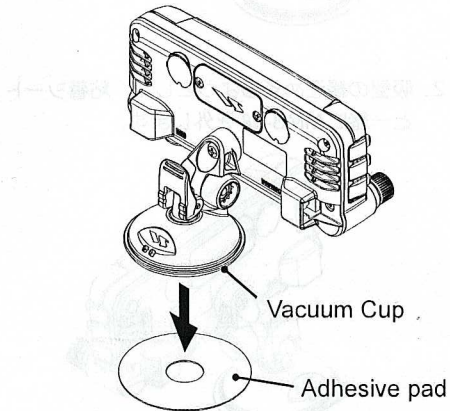


Example:  
Use for FTM-350 series

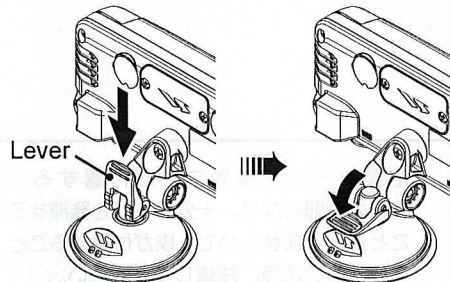
2. Peel the protective sheets A and B from the adhesive pad, and affix the pad to a suitable mounting location.



- Save the protective sheet B, it will be needed later to affix to the adhesive pad whenever it is removed from the mounting position.
- Attach the pad to a surface that is as flat and smooth as possible.
- Affix the pad after cleaning the flat surface.



4. Press the lever in the Direction of the arrow, to attach the bracket to the surface.



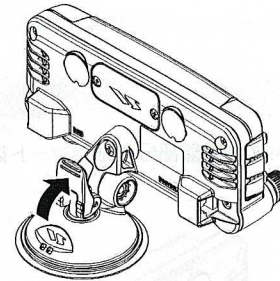
- Confirm that the pad and bracket are attached securely.

**VERTEX STANDARD CO., LTD.**

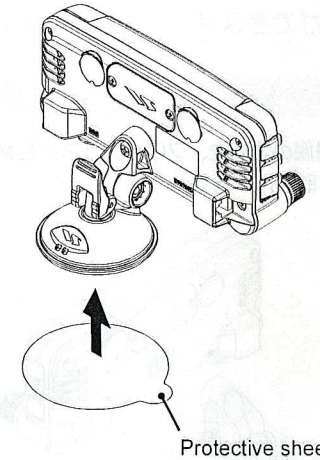
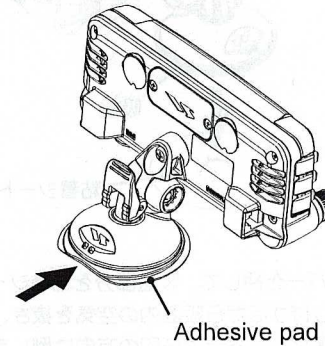


## Removal

1. Lift the release lever in the Direction of the arrow.
3. Affix the protective sheet B to the Adhesive pad.



2. Remove the Adhesive pad and Vacuum Cup together.



- Dust and particles may collect on the adhesive pad and reduce its ability to adhere to a surface.
- Rinse the pad to restore the adhesive surface, and let it dry naturally. Do not use a towel.
- Regularly confirm that the adhesive pad and the vacuum cup are firmly attached.

- It is possible the surface where the adhesive pad is mounted may show a change of color over time.
- When the adhesive strength cannot be restored by rinsing, please replace the adhesive pad with a new one.